



# QCSe3 SERIES CONVEYOR TOASTERS WITH ELECTRONIC CONTROLS

## Models QCSe3-950H, QCSe3-1000 & QCSe3-1300

QCSe3 Conveyor Toasters with Electronic Controls

### QCSe Features/Benefits:

- ★ Holman's easy to use electronic control panel takes the guesswork out of temperature and speed control settings for your bread products. The electronic control is pre-programmed from the factory with 4 channel settings for toast, bagels, English muffins and other. Change products on the go with the touch of a button any time during the operation.
- ★ Single order feature allows darker or lighter for one time product orders without the need to change program settings.
- ★ Super energy efficiencies with programmable feature allowing the operator to set stand by feature automatically from 1/2 hour to 8 hours. This feature will automatically reduce power by as much as 100% (power reduction can be reduced in 10% increments) if toaster is not in use after a preprogrammed set time.
- ★ Customize your settings for your specific product needs with our easy programmable electronic control. Once the control is programmed the setting will automatically default to the last saved setting.
- ★ Large LED display provides for easier reading of settings.
- ★ Holman's forced convection keeps the toaster cool to the touch and extends the life of critical components. The forced convection increases productivity by re-circulating pre-heated air into the toasting chamber.
- ★ Quartz infrared heaters provide faster, more consistent heating than traditional heating elements and responds quickly to the electronic control.
- ★ High Performance -  
 QCSe3-950H with a 3" high opening produces up to 950 slices per hour  
 QCSe3-1000 produces up to 1000 slices per hour.  
 QCSe3-1300 produces up to 1300 slices per hour.
- ★ High volume compact toaster - requires only 18-5/8" of counter space and the forced convection system allows the unit to be placed against a wall. Other toasters have louvers requiring additional counter space.
- ★ Extended conveyor belt for easy loading and large warming area for higher production.
- ★ Heated holding area to keep toast at the perfect temperature.
- ★ 24 hours 7 days a week technical support by Star technicians.



Model QCSe3-1000



### Applications:

Holman's new QCSe3 is the ultimate in conveyor toasters with touch pad electronic controls for consistent toasting and easy operation. This state of the art toaster is designed for a variety of bread products such as bagels, English muffins, toast, buns and more. Electronic controls are perfect for foodservice operations and restaurants. The innovative energy saving feature can significant reduce cost and extend component life with a simple touch of a button.

### Quality Construction:

Star designs every toaster to stand up to the most rigorous foodservice demands. Stainless steel construction for long lasting durability. Heavy-duty motor, drive chain and conveyor speed control for superior reliability. Conveyor belt tension system for smooth and quiet operation. High performance quartz infrared heaters for superior toasting performance and reliability. Units are easy to disassemble with one-piece cover for cleaning and service. Toasters are furnished with 1" adjustable legs and 4' cord.

### Warranty:

Holman's conveyor toasters are covered by a one-year parts and labor warranty.

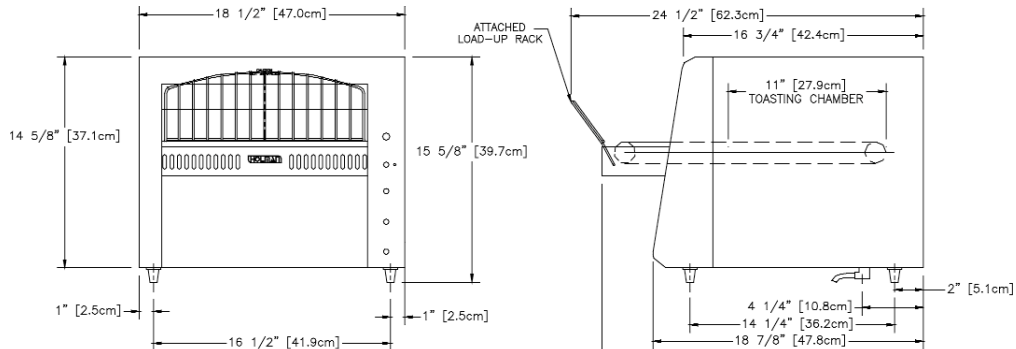




Star Manufacturing International, Inc.

# QCSe3 SERIES CONVEYOR TOASTERS WITH ELECTRONIC CONTROLS

Models QCSe3-950H, QCSe3-1000 & QCSe3-1300



## Performance Data

Model No.	Production Capacity	Product Opening
QCSe3-950H	up to 950 slices or bun halves per hour	3"
QCSe3-1000	up to 1000 slices or bun halves per hour	1-1/2"
QCSe3-1300	up to 1300 slices or bun halves per hour	1-1/2"

## Specifications

Model No.	Dimensions			Shipping Weight lbs (kg)	Shipping Carton		
	Width Inches (cm)	Depth Inches (cm)	Height Inches (cm)		Width Inches (cm)	Depth Inches (cm)	Height Inches (cm)
QCSe3-950H	18-5/8 (47.3)	22-5/8 (57.5)	15-5/8 (39.7)	68 (149.6)	23 (58.4)	20-1/2 (52)	26 (66)
QCSe3-1000	18-5/8 (47.3)	22-5/8 (57.5)	15-5/8 (39.7)	68 (149.6)	23 (58.4)	20-1/2 (52)	26 (66)
QCSe3-1300	18-5/8 (47.3)	22-5/8 (57.5)	15-5/8 (39.7)	68 (149.6)	23 (58.4)	20-1/2 (52)	26 (66)

## Electrical Data

Model No.	Volts	HZ 1 Phase	Amps	Watts	Heating Elements <sup>1</sup>		NEMA
					Above Belt	Below Belt	
QCSe3-950H	208	60	15.3	3200	2	2	6-20P
	240	60	13.3	3200	2	2	6-20P
	220	50	14.5	3200	2	2	Not Supplied with plug
QCSe3-1000	208	60	15.3	3200	2	2	6-20P
	240	60	13.3	3200	2	2	6-20P
	220	50	14.5	3200	2	2	Not Supplied with plug
QCSe3-1300	208	60	17.3	3600	3	3	6-30P
	240	60	15.0	3600	3	3	6-30P
	220	50	16.3	3600	3	3	Not Supplied with plug

<sup>1</sup>Can be supplied with metal sheathed heaters (no additional charge), however production will be reduced.

## Typical Specifications

Conveyor toasters are constructed of corrosion resistant stainless steel. Supplied with heavy-duty motor, drive chain and fast heat up quartz infrared heaters. A conveyor belt tension system is supplied for a smooth, quiet operation. Units are supplied with electronic control designed with four pre-set channels, variable speed control, top and bottom heat control and power saver feature. Extended conveyor belt, crumb tray, heated holding area and full width burn guard are standard. Unit has a one-piece cover for easy access with 1" adjustable legs and a 4' cord. Units are listed with UL, CUL and are UL certified to NSF4. Patent number D459,140. Printed in the U.S.A.

Due to periodic changes in designs, methods, procedures, policies and regulations, the specifications contained in this sheet are subject to change without notice. While Star Manufacturing exercises good faith efforts to provide information that is accurate, we are not responsible for errors or omissions in information provided or conclusions reached as a result of using the specifications. By using the information provided, the user assumes all risks in connection with such use.

Star Manufacturing International Inc. - 10 Sunnen Drive - P.O. Box 430129 - St. Louis, MO 63143-3800

Phone: (800) 264-7827 - FAX: (800) 264-6666 - www.star-mfg.com

QCSe3 Conveyor Toasters with Electronic Controls